

www.palazzani.it

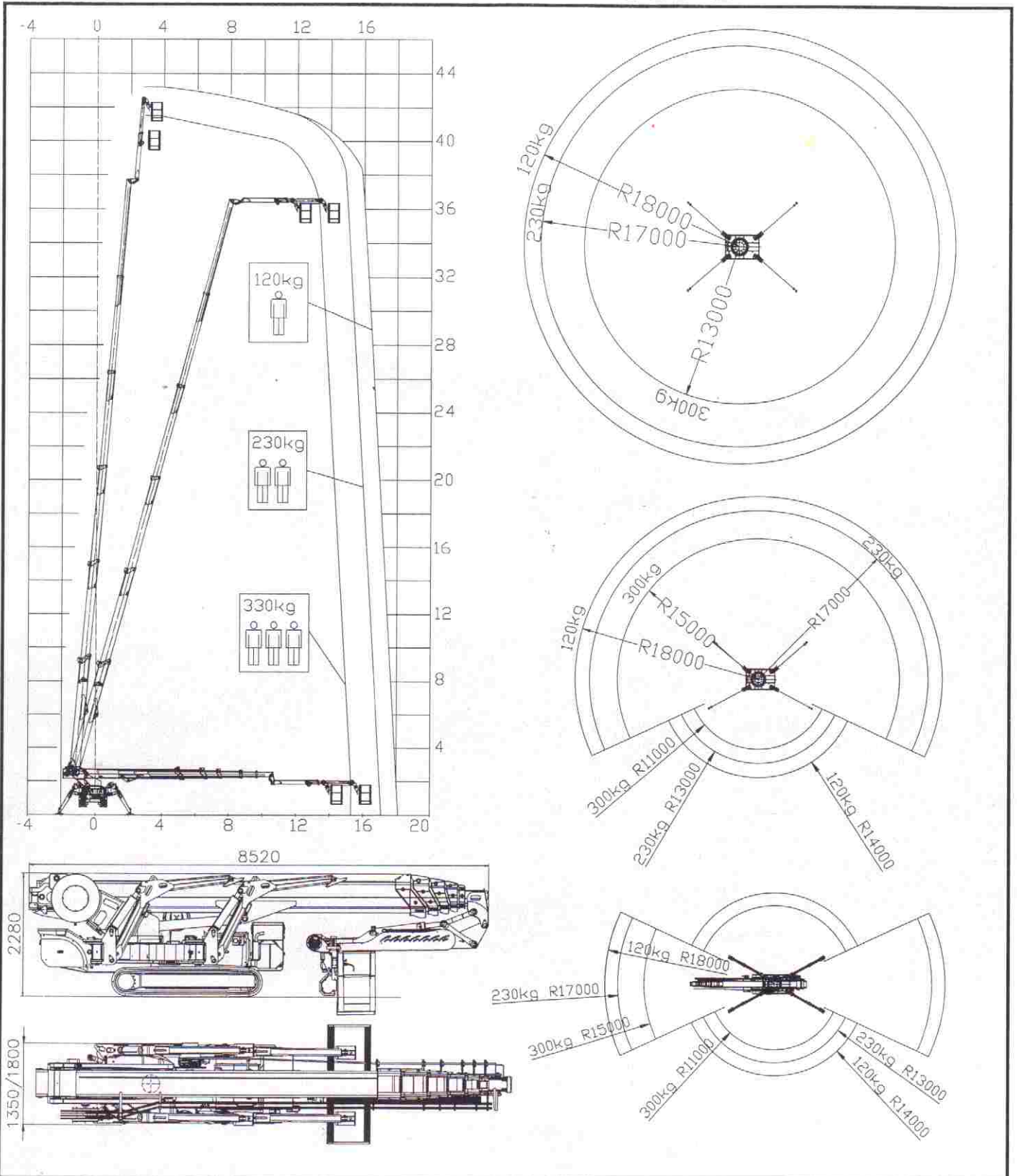
The new RAGNO generation

RAGNO XTJ 43



43m	18m	330kg	175°	660°	240x70cm	90°+80°	3,6-5,3m	automatic	25%
40%	2,25 km/h	10900kg	75kN	4,06kN/m ²	7,12kN/m ²	1350mm	8520mm	2280mm	

RAGNO XTJ 43/C



Palazzani
INDUSTRIE

25050 PADERNO F.C. (BS) - ITALY
Tel: ++39 030 6857073 - Fax: ++39 030 657079
www.palazzani.it - platforms@palazzani.it

Technical data are informative only and can vary without notice

COMPANY WITH
QUALITY SYSTEM
CERTIFIED BY DNV
= ISO 9001 =

NC 374 A 14